

We'll be
starting soon

Development Management
Committee

16th September 2020



Development Management Committee

16th September 2020

Development Management Committee

Attendance & Declarations of interest

Development Management Committee

Minutes

Development Management Committee

Planning Applications

Development Management Committee

Item 5: 20/00440/RBCRG3

Manor Park, Church Hill, Aldershot



Pond

Aldershot Manor Park

HIGH STREET

PH

TCB

358

78.9m

PCs

7.39m

5.87m

Tree to be removed

Playground

Aldershot Green

Scale 1:500 at A4 Rev 1

© Crown Copyright. All Rights Reserved. Rushmoor Borough Council 100024264 2020

Aldershot
Manor Park

Tree to be
removed

Existing Gym
Equipment

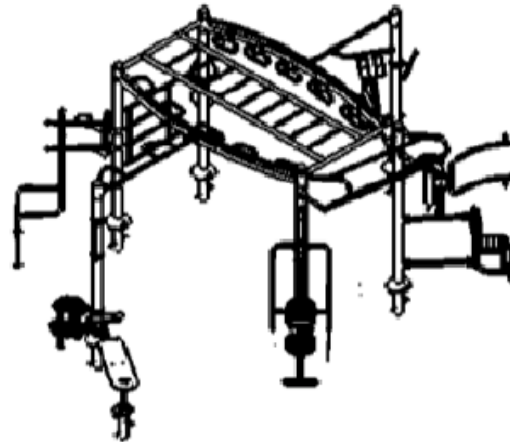
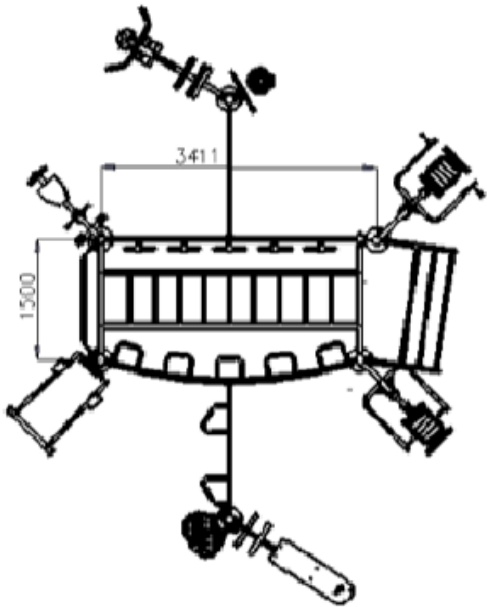
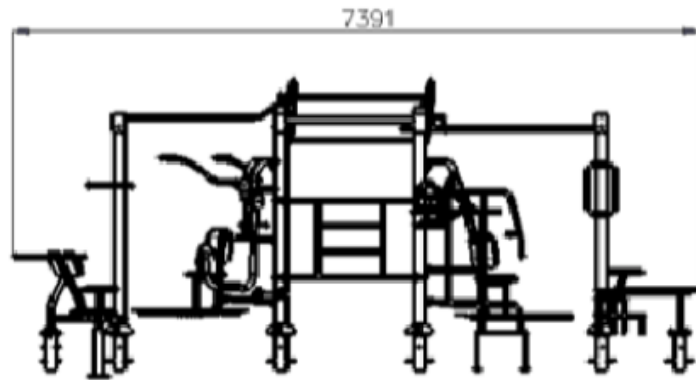
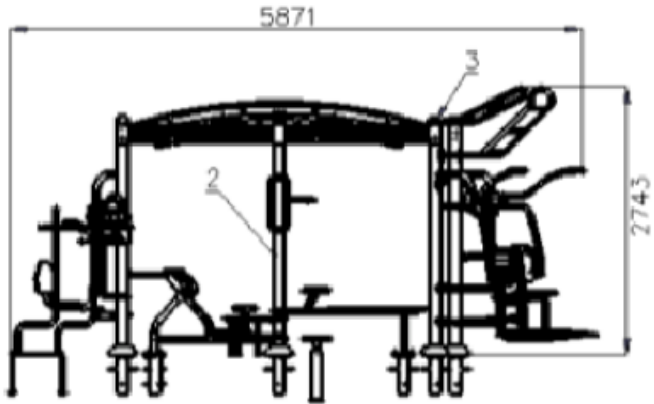
Playground

Aldershot
Green

SD

Manor Park
Lodge

© Crown Copyright. All Rights Reserved. Rushmoor Borough Council 100024264 2020



Big Rig	
Plans	
DRWG	HK-8716-00
REV	~

Example of gym frame













Development Management Committee

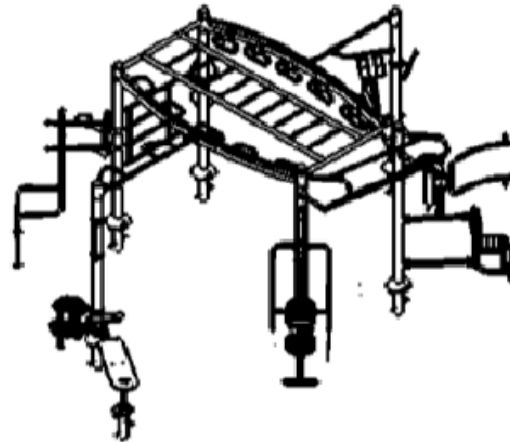
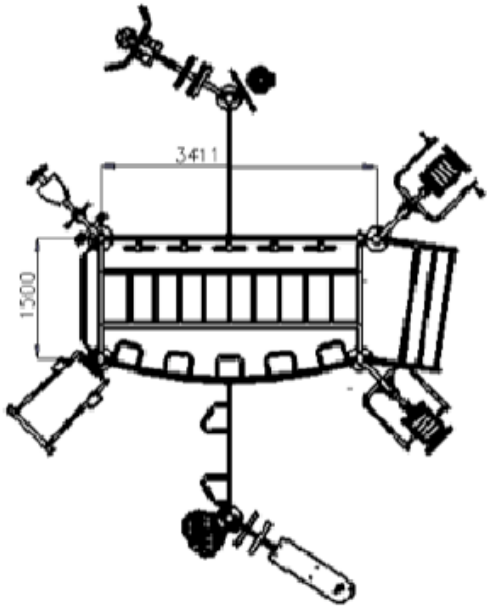
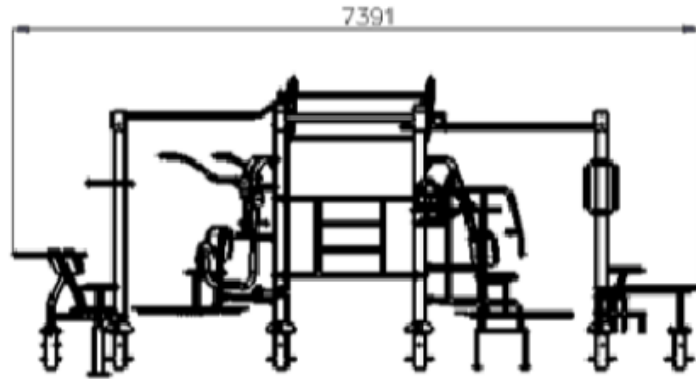
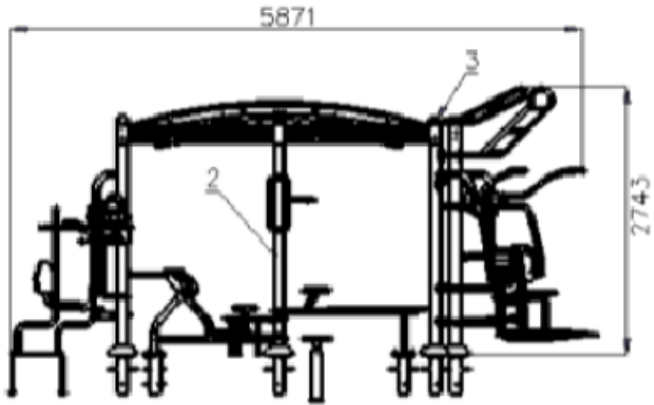
Item 6: 20/00441/RBCRG3

**King George V Playing Fields, Sycamore
Road, Farnborough**



All Rights Reserved, Rushmoor, Borough Council 100024264 2020

Scale 1:500 at A4



Big Rig	
Plans	
DRWG	HK-8716-00
REV	~





Example of gym frame



Development Management Committee

16th September 2020

The meeting has now finished

Development Management
Committee

16th September 2020

